

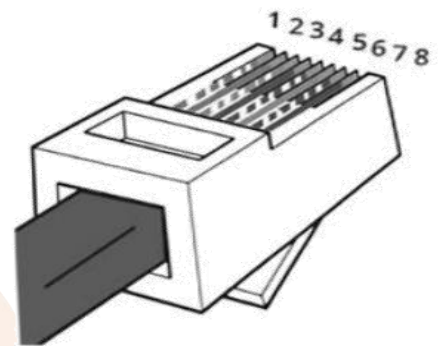
Communication Guide for Felicity Battery and Solis Inverter

CAN Matched Hybrid Inverter Brands			
Brand	Model	Communication protocol	Cable Supply
Solis	S5-EH1P(3-6)K-L	CAN	RJ45

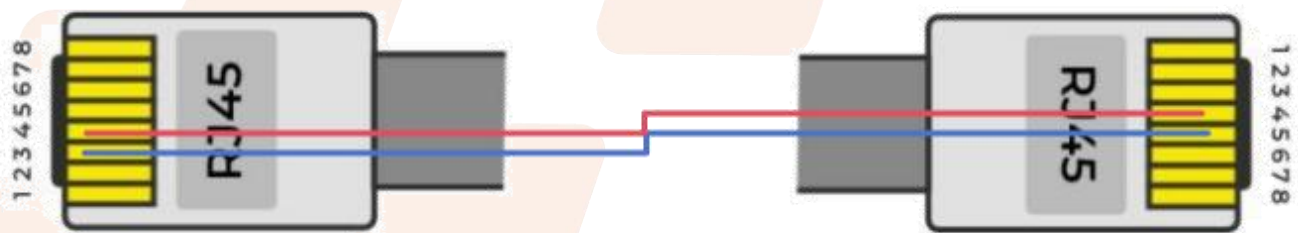
(1) The corresponding communication pins are defined in the following table. You can make communication cables according to this table.

	FelicityESS	Solis
CAN_L	Pin3	Pin5
CAN_H	Pin4	Pin4

(Order of Communication Cable)



(RJ45 Pin Sequence)



Battery Side

Inverter Side

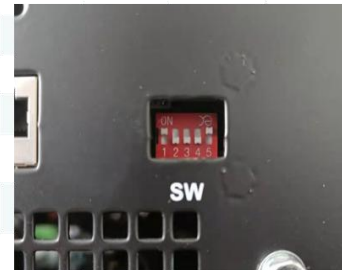
(CAN Communicate Cable Connection)

(2) Set the battery DIP switch according to the table below.

Parallel DIP Switch



No. of BAT	1	2	3	4	5	6	7	8	9	10	11	12
1 PCS	1,5 ON											
2 PCS	1,5 ON	2,5 ON										
3 PCS	1,5 ON	2 ON	1,2,5 ON									
4 PCS	1,5 ON	2 ON	1,2 ON	3,5 ON								
5 PCS	1,5 ON	2 ON	1,2 ON	3 ON	1,3,5 ON							
6 PCS	1,5 ON	2 ON	1,2 ON	3 ON	1,3 ON	2,3, 5 ON						
7 PCS	1,5 ON	2 ON	1,2 ON	3 ON	1,3 ON	2,3 ON	1,2,3,5 ON					
8 PCS	1,5 ON	2 ON	1,2 ON	3 ON	1,3 ON	2,3 ON	1, 2,3 ON	4,5 ON				
9 PCS	1,5 ON	2 ON	1,2 ON	3 ON	1,3 ON	2,3 ON	1, 2,3 ON	4 ON	1,4,5 ON			
10 PCS	1,5 ON	2 ON	1,2 ON	3 ON	1,3 ON	2,3 ON	1, 2,3 ON	4 ON	1,4 ON	2,4,5 ON		
11 PCS	1,5 ON	2 ON	1,2 ON	3 ON	1,3 ON	2,3 ON	1, 2,3 ON	4 ON	1,4 ON	2,4 ON	1,2,4,5 ON	
12 PCS	1,5 ON	2 ON	1,2 ON	3 ON	1,3 ON	2,3 ON	1, 2,3 ON	4 ON	1,4 ON	2,4 ON	1,2,4 ON	3,4,5 ON



Note: The inverter needs to be connected to the first battery, that is, the battery pack with the 1,5 ON.

Note: The setting takes effect only after the battery is restarted

(3) Setting battery module to Pylon LV.



(4) After successful communication, you can see the battery information on the display screen.

